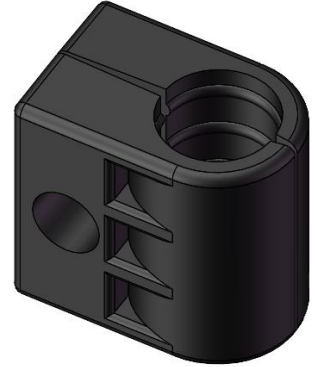


## Cable Block Hanger, Single Type, for 1/2 in Cable

- Easy and quick installation
- Robust design & material for outdoor / indoor use



### Product Classification

Material Code	6000600
Part Number	-
Status	Active
Detail Description	Block hanger for 1/2 in cable, single run

### General Specifications

Material	PP
Color	Black
Mounting	Mounting hole for M8 threaded rod

### Dimensions

Height	1.417 in   36 mm
Width	0.945 in   24 mm
Length	1.457 in   37 mm
Compatible Cable Jacket OD, maximum	0.65 in   16.5 mm
Compatible Cable Jacket OD, minimum	0.591 in   15.5 mm
Nominal Size	1/2 in

### Environmental Specifications

Operating Temperature	-40 °C to +85 °C (-40 °F to +185 °F)
Environmental Strength Capability	Double cable weight
UV Resistance	≥1000 hours, base on ISO4892.3-1994

### Packaging and Weights

Bag,Height	1.417 in   36 mm
Bag,Width	3.937 in   100 mm
Bag,Length	5.906 in   150 mm

For more information, please visit:  
[www.maxdao.com](http://www.maxdao.com)



©Copyright 2023 Maxdao Inc. All rights reserved.

The information contained herein is subject to change without notice. We reserve the right to make technical changes or modify the contents of this document without prior notice.

Revised: Fer 28, 2023

Public

Included	Single Block Hanger
Packaging quantity and UOM	Pair
Weight, gross	0.353 lb   0.16 kg

---

**Certifications and Compliance**

---

ISO 9001:2015	Designed, manufactured and/or distributed under this quality management system
ROHS	Compliant

