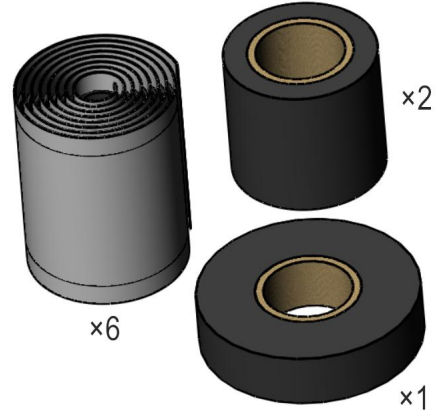


## Weatherproof Kit, 6 rolls butyl + 2 rolls 3/4" tape + 1 roll 2" tape

- Excellent for outdoor use
- Easy to install
- Good weatherproof performance



### Product Classification

Material Code	6001308
Part Number	-
Status	Active
Detail Description	Weatherproof kit,(6 rolls butyl and 2 rolls 0.75in height electrical tape and 1 roll 2.36in height electrical tape)

### General Specifications

Material	PVC tape and butyl
Cable type	Corrugated   Elliptical Waveguide   Smoothwall
Cable size	Universal
Color	Black

### Dimensions

Butyl length×height×thickness	600mm×60mm×1.5mm   26.6in×2.36in×0.06in
High tape length×height×thickness	6000mm×48mm×0.19mm   236.2in×1.89in×0.007in
Low tape length×height×thickness	2000mm×19mm×0.19mm   78.7in×0.75in×0.007in

### Environmental Specifications

UV resistance	≥1000Hours,based on ISO 4892-3
---------------	--------------------------------

### Packaging and Weights

Bag width	220 mm   8.66 in
Bag length	320 mm   12.6 in
Included	6 rolls butyl and 2 rolls 0.75in height electrical tape and 1 roll 2.36in height electrical tape
Packaging quantity and UOM	1 Kit
Weight, gross	0.896 kg   1.98 lb

For more information, please visit:  
www.maxdao.com



©Copyright 2023 Maxdao Inc. All rights reserved.  
The information contained herein is subject to change without notice. We reserve the right to make technical changes or modify the contents of this document without prior notice.  
Revised:Feb 23, 2023  
Public

**Certifications and Compliance**

ISO 9001:2015

ROHS

Designed, manufactured and/or distributed under this quality management system

Compliant

