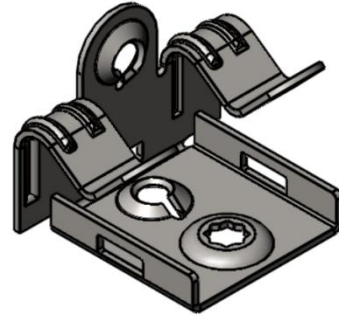


## Hammer-on Flange Clip,5/16 in-1/2 in,bottom mount

- Can be used to support boxes, fixtures or other applications from beam flanges
- Assorted attachment points provided to reduce inventory
- Requires only a hammer to install




---

### Product Classification

Material Number	6006020
Part Number	-
Status	Active
Detail Description	Hammer-on flange clip,5/16 in-1/2 in,bottom mount

---

### General Specifications

Material	SUS304
Color	Silver

---

### Dimensions

Length	44.5 mm   1.75 in
Height	34 mm   1.34 in
Applied flange thickness	8 to 14 mm   5/16 in to 1/2 in
Rod size	M6

---

### Mechanical Specification

Static load	90 kg   200 lb
-------------	----------------

---

### Environmental Specifications

Operating temperature	-40°C to +85°C (-40°F to +185°F)
Salty spray resistance	≥96Hours,based on ISO 9227:2017

---

### Packaging and Weights

Bag length	200 mm   7.87 in
Bag width	200 mm   7.87 in
Packaging quantity and UOM	1 pcs
Weight gross	0.028 kg   0.062 lb

**Certifications and Compliance**

---

ISO 9001:2015

Designed, manufactured and/or distributed under this quality management system

RoHS

Compliant

