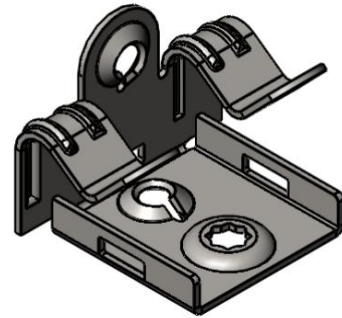


Hammer-on Flange Clip,5/16 in-1/2 in,bottom mount

- Can be used to support boxes, fixtures or other applications from beam flanges
- Assorted attachment points provided to reduce inventory
- Requires only a hammer to install



Product Classification

Material Number	6002240
Part Number	-
Status	Active
Detail Description	Hammer-on flange clip,5/16 in-1/2 in,bottom mount

General Specifications

Material	SUS316
Color	Silver

Dimensions

Length	44.5 mm 1.75 in
Height	34 mm 1.34 in
Applied flange thickness	8 to 14 mm 5/16 in to 1/2 in
Rod size	M6

Mechanical Specification

Static load	90 kg 200 lb
-------------	----------------

Environmental Specifications

Operating temperature	-40°C to +85°C (-40°F to +185°F)
Salty spray resistance	≥96Hours,based on ISO 9227:2017

Packaging and Weights

Bag length	200 mm 7.87 in
Bag width	200 mm 7.87 in
Packaging quantity and UOM	1 pcs
Weight gross	0.028 kg 0.062 lb

Certifications and Compliance

ISO 9001:2015

Designed, manufactured and/or distributed under this quality management system

RoHS

Compliant

