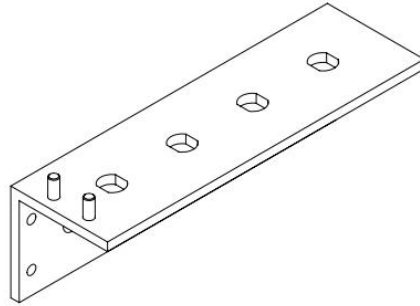


Ground Bars, four holes

- Manufactured by copper and tin plated
- Quick and easy to install



Product Classification

Material Code	6001477
Part Number	-
Status	Active
Detail Description	Ground bars, four holes

General Specifications

Material	Copper
Surface treatment	Tin plated
Color	Silver

Dimensions

Length	228.6 mm 9 in
Screw size	1/4"×19 mm
Width	69.85 mm 2.75 in

Environmental Specifications

Operating temperature	-40°C to +80°C (-40°F to +176°F)
Salty spray resistance	≥72Hours, based on ISO 9227:2017

Packaging and Weights

Bag width	200 mm 7.87 in
Bag length	300 mm 11.81 in
UOM	1 Pcs
Packaging	Box
Weight, gross	0.75 kg 1.65 lb

Certifications and Compliance

ISO 9001:2015	Designed, manufactured and/or distributed under this quality management system
---------------	--

RoHS

Compliant

For more information, please visit:
www.maxdao.com



©Copyright 2023 Maxdao Inc. All rights reserved.

The information contained herein is subject to change without notice. We reserve the right to make technical changes or modify the contents of this document without prior notice.

Revised: May 10, 2023

Public