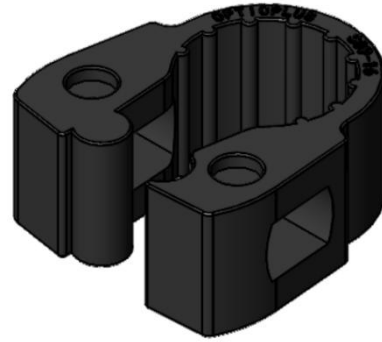


**Cable cleat, for 1/2" cable**

- **Manufactured by LDPE**
- **Excellent for outdoor & indoor use**
- **Easy to install**

**Product Classification**

Material Code	6002098
Part Number	-
Status	Active
Detail description	For 1/2" cable

**General Specifications**

Material	LDPE
Cable type	Corrugated   Elliptical Waveguide   Smoothwall
Cable size	1/2" Cable
Color	Black

**Dimensions**

Height	31.4 mm   1.24 in
Width	14 mm   0.56 in

**Environmental Specifications**

Operating temperature	-20-+80°C
UV resistance	≥1000Hours, based on ISO 4892-3

**Packaging and Weights**

Bag, width	200 mm   7.87 in
Bag, length	200 mm   7.87 in
Included	Cable cleat
Packaging quantity and UOM	Bag of 100
Weight, gross	0.47 kg   1.04 lb

**Certifications and Compliance**

ISO 9001:2015

Designed, manufactured and/or distributed under this  
quality management system

ROHS

Compliant

