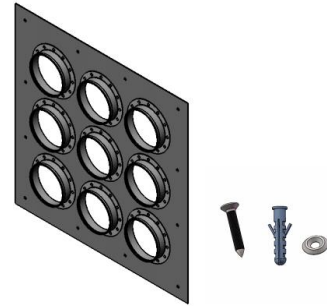


Cable Entry Panels Feeder Windows Kit,3×3,5 in ports

- Mounting hardware included
- Quick and easy to install
- Good weatherproof performance



Product Classification

Material Number	6004938
Part Number	-
Status	Active
Detail Description	Cable entry panels feeder windows kit,3×3,5 in ports,include 1 pcs 5''entry panel and and 12 pcs tapping screw and 12 pcs nylon wall plug and 12 pcs fisheye washer

General Specifications

Material	Aluminum entry panel & Nylon wall plug & SUS304 fisheye washer and tapping screw
Entry panel port size	127 mm 5 in
Entry panel surface treatment method	Powder coating
Number of ports	9
Panel type	Multiple
Color	Gray & Black

Dimensions

Panel size(Length×Width×Height)	647.7 mm×647.7 mm×38mm 25.5 in×25.5 in×1.5 in
Tapping screw size	ST5.5×45 mm ST0.22 in×1.77 in
Wall plug size	M8×40 mm M8×1.57 in
Fisheye washer size	M6×18 mm M6×0.71 in

Environmental Specifications

Operating temperature	-40°C to +85°C (-40°F to +185°F)
Waterproof resistance	IP66,based on ISO20653:2013

Packaging and Weights

Box length	680 mm 26.77 in
------------	-------------------

For more information, please visit:
www.maxdao.com



©Copyright 2023 Maxdao Inc. All rights reserved.

The information contained herein is subject to change without notice. We reserve the right to make technical changes or modify the contents of this document without prior notice.

Revised:Mar 20, 2023
Public

DATASHEET

Box width	680 mm 26.77 in
Box height	45 mm 1.77 in
Packaging quantity and UOM	1 kit
Included	Entry panel & Hardware kit
Weight gross	3.042 kg 6.706 lb

Certifications and Compliance

ISO 9001:2015	Designed, manufactured and/or distributed under this quality management system
RoHS	Compliant

