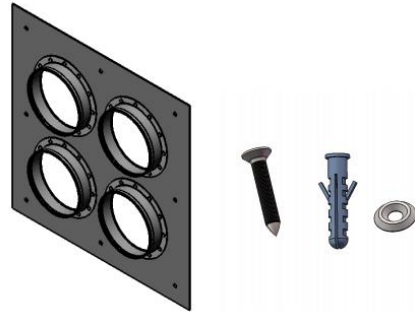


## Cable Entry Panels Feeder Windows Kit, 2x2, 5 in ports

- **Mounting hardware included**
- **Quick and easy to install**
- **Good weatherproof performance**



### Product Classification

Material Number	6005442
Part Number	-
Status	Active
Detail Description	Cable entry panels feeder windows kit, 2x2, 5 in ports, include 1 pcs 5" entry panel and 8 pcs tapping screw and 8 pcs nylon wall plug and 8 pcs fish-eye washer

### General Specifications

Material	Aluminum entry panel & Nylon wall plug & SUS304 fish-eye washer and tapping screw
Entry panel port size	127 mm   5 in
Entry panel surface treatment method	Powder coating
Number of ports	4
Panel type	Multiple
Color	Gray & Black

### Dimensions

Panel size (Length x Width x Height)	444.5 mm x 444.5 mm x 38 mm   17.5 in x 17.5 in x 1.5 in
Tapping screw size	ST5.5 x 45 mm   ST0.22 in x 1.77 in
Wall plug size	M8 x 40 mm   M8 x 1.57 in
Fish-eye washer size	M6 x 18 mm   M6 x 0.71 in

### Environmental Specifications

Operating temperature	-40°C to +85°C (-40°F to +185°F)
Waterproof resistance	IP66, based on ISO20653:2013

### Packaging and Weights

Box length	495 mm   19.49 in
------------	-------------------

For more information, please visit:  
[www.maxdao.com](http://www.maxdao.com)



©Copyright 2023 Maxdao Inc. All rights reserved.

The information contained herein is subject to change without notice. We reserve the right to make technical changes or modify the contents of this document without prior notice.

Revised: Mar 20, 2023  
 Public

## DATASHEET

Box width	480 mm   18.90 in
Box height	50 mm   1.97 in
Packaging quantity and UOM	1 kit
Included	Entry panel & Hardware kit & Port cap
Weight gross	1.263 kg   2.784 lb

---

## Certifications and Compliance

---

ISO 9001:2015	Designed, manufactured and/or distributed under this quality management system
RoHS	Compliant

