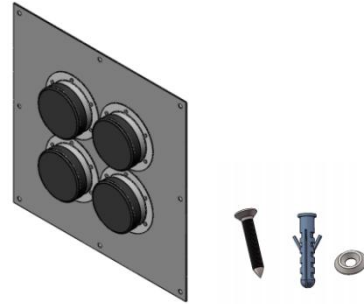


Cable Entry Panels Feeder Windows Kit, 2x2, 4 in ports with caps

- Port caps and mounting hardware included
- Quick and easy to install
- Good weatherproof performance



Product Classification

Material Number	6002057
Part Number	-
Status	Active
Detail Description	Cable entry panels feeder windows kit, 2x2, 4 in ports with caps, include 1 pcs 4'' entry panel and 4 pcs port cap and 8 pcs tapping screw and 8 pcs nylon wall plug and 8 pcs fisheye washer

General Specifications

Material	Aluminum entry panel & EPDM port cap & Nylon wall plug & SUS304 fisheye washer and tapping screw
Entry panel port size	101.6 mm 4 in
Entry panel surface treatment	Powder coating
Number of ports	4
Panel type	Multiple
Color	Gray & Black

Dimensions

Panel size (Length x Width x Height)	444.5 mm x 444.5 mm x 38 mm 17.5 in x 17.5 in x 1.5 in
Tapping screw size	ST5.5 x 45 mm ST0.22 in x 1.77 in
Wall plug size	M8 x 40 mm M8 x 1.57 in
Fisheye washer size	M6 x 18 mm M8 x 0.71 in

Environmental Specifications

Operating temperature	-40°C to +85°C (-40°F to +185°F)
Waterproof resistance	IP66, based on ISO20653:2013

Packaging and Weights

Box length	500 mm 19.69 in
------------	-------------------

For more information, please visit:
www.maxdao.com



©Copyright 2023 Maxdao Inc. All rights reserved.

The information contained herein is subject to change without notice. We reserve the right to make technical changes or modify the contents of this document without prior notice.

Revised: Mar 15, 2023

Public

Bag width	480 mm 18.90 in
Box height	55 mm 2.17 in
Packaging quantity and UOM	1 kit
Included	Entry panel & Hardware kit & Port cap
Weight gross	1.415 kg 3.120 lb

Certifications and Compliance

ISO 9001:2015	Designed, manufactured and/or distributed under this quality management system
RoHS	Compliant

