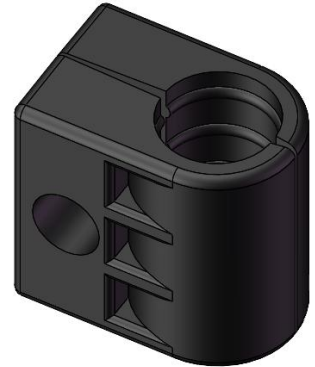


## Cable Block Hanger, Single Type, for 7/8 in Cable

- Easy and quick installation
- Robust design & material for outdoor / indoor use



### Product Classification

Material Code	6000608
Part Number	-
Status	Active
Detail Description	Block hanger for 7/8 in cable, single run

### General Specifications

Material	PP
Color	Black
Mounting	Mounting hole for 3/8 in threaded rod

### Dimensions

Height	1.949 in   49.5 mm
Width	1.575 in   40 mm
Length	1.969 in   50 mm
Compatible Cable Jacket OD, maximum	1.102 in   28 mm
Compatible Cable Jacket OD, minimum	1.024 in   26 mm
Nominal Size	7/8 in

### Environmental Specifications

Operating Temperature	-40 °C to +85 °C (-40 °F to +185 °F)
Environmental Strength Capability	Double cable weight
UV Resistance	≥1000 hours, base on ISO4892.3-1994

### Packaging and Weights

Bag, Height	1.949 in   49.5 mm
Bag, Width	11.818 in   300 mm
Bag, Length	17.717 in   450 mm

For more information, please visit:  
[www.maxdao.com](http://www.maxdao.com)



©Copyright 2023 Maxdao Inc. All rights reserved.

The information contained herein is subject to change without notice. We reserve the right to make technical changes or modify the contents of this document without prior notice.

Revised: Mar 27, 2023  
 Public

Included	Single Block Hanger
UOM	1 pcs
Packaging	Bag
Weight, gross	0.044 lb   0.02 kg

---

### Certifications and Compliance

---

ISO 9001:2015	Designed, manufactured and/or distributed under this quality management system
ROHS	Compliant

