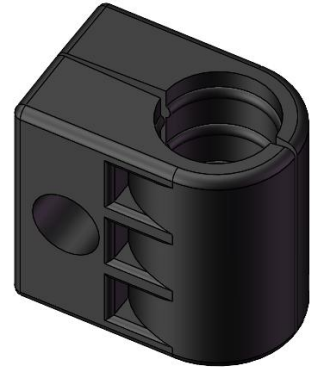


Cable Block Hanger, Single Type, for 7/8 in Cable

- Easy and quick installation
- Robust design & material for outdoor / indoor use



Product Classification

Material Code	6000602
Part Number	-
Status	Active
Detail Description	Block hanger for 7/8 in cable, single run

General Specifications

Material	PP
Color	Black
Mounting	Mounting hole for M8 threaded rod

Dimensions

Height	1.949 in 49.5 mm
Width	1.575 in 40 mm
Length	1.969 in 50 mm
Compatible Cable Jacket OD, maximum	1.102 in 28 mm
Compatible Cable Jacket OD, minimum	1.024 in 26 mm
Nominal Size	7/8 in

Environmental Specifications

Operating Temperature	-40 °C to +85 °C (-40 °F to +185 °F)
Environmental Strength Capability	Double cable weight
UV Resistance	≥1000 hours, base on ISO4892.3-1994

Packaging and Weights

Bag, Height	1.949 in 49.5 mm
Bag, Width	7.87 in 200 mm
Bag, Length	7.87 in 200 mm

For more information, please visit:
www.maxdao.com



©Copyright 2023 Maxdao Inc. All rights reserved.

The information contained herein is subject to change without notice. We reserve the right to make technical changes or modify the contents of this document without prior notice.

Revised: Fer 28, 2023
 Public

Included	Single Block Hanger
Packaging quantity and UOM	Kit of 10
Weight, gross	0.881 lb 0.4 kg

Certifications and Compliance

ISO 9001:2015	Designed, manufactured and/or distributed under this quality management system
ROHS	Compliant

