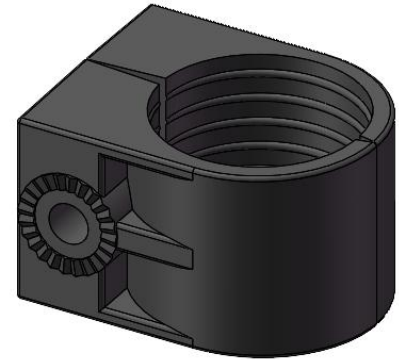


Cable Block Hanger, Single Type, for 1-5/8 in Cable

- Easy and quick installation
- Robust design & material for outdoor / indoor use
- The design of zigzag structure holds blocks in place when stacked



Product Classification

Material Code	6000610
Part Number	-
Status	Active
Detail Description	Block hanger for 1-5/8 in cable, single run

General Specifications

Material	PP
Color	Black
Mounting	Mounting hole for 3/8 in threaded rod

Dimensions

Height	1.929 in 49 mm
Width	2.559 in 65 mm
Length	2.992 in 76 mm
Compatible Cable Jacket OD, maximum	2 in 51 mm
Compatible Cable Jacket OD, minimum	1.93 in 49 mm
Nominal Size	1-5/8 in

Environmental Specifications

Operating Temperature	-40 °C to +85 °C (-40 °F to +185 °F)
Environmental Strength Capability	Double cable weight
UV Resistance	≥1000 hours, base on ISO4892.3-1994

Packaging and Weights

Bag, Height	2.559 in 65 mm
Bag, Width	8.268 in 210 mm
Bag, Length	14.567 in 370 mm

For more information, please visit:
www.maxdao.com



©Copyright 2023 Maxdao Inc. All rights reserved.

The information contained herein is subject to change without notice. We reserve the right to make technical changes or modify the contents of this document without prior notice.

Revised: Mar 1, 2023

Public

Included	Single Block Hanger
Packaging quantity and UOM	Kit of 10
Weight, gross	1.704 lb 0.773 kg

Certifications and Compliance

ISO 9001:2015	Designed, manufactured and/or distributed under this quality management system
ROHS	Compliant

