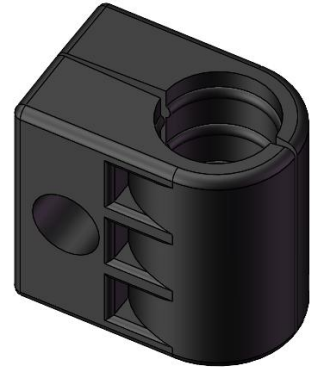


Cable Block Hanger, Single Type, for 1/2 in Cable

- Easy and quick installation
- Robust design & material for outdoor / indoor use



Product Classification

Material Code	6000600
Part Number	-
Status	Active
Detail Description	Block hanger for 1/2 in cable, single run

General Specifications

Material	PP
Color	Black
Mounting	Mounting hole for M8 threaded rod

Dimensions

Height	1.417 in 36 mm
Width	0.945 in 24 mm
Length	1.457 in 37 mm
Compatible Cable Jacket OD, maximum	0.65 in 16.5 mm
Compatible Cable Jacket OD, minimum	0.591 in 15.5 mm
Nominal Size	1/2 in

Environmental Specifications

Operating Temperature	-40 °C to +85 °C (-40 °F to +185 °F)
Environmental Strength Capability	Double cable weight
UV Resistance	≥1000 hours, base on ISO4892.3-1994

Packaging and Weights

Bag, Height	1.417 in 36 mm
Bag, Width	3.937 in 100 mm
Bag, Length	5.906 in 150 mm

For more information, please visit:
www.maxdao.com



©Copyright 2023 Maxdao Inc. All rights reserved.

The information contained herein is subject to change without notice. We reserve the right to make technical changes or modify the contents of this document without prior notice.

Revised: Fer 28, 2023

Public

Included	Single Block Hanger
Packaging quantity and UOM	Kit of 10
Weight, gross	0.353 lb 0.16 kg

Certifications and Compliance

ISO 9001:2015	Designed, manufactured and/or distributed under this quality management system
ROHS	Compliant

