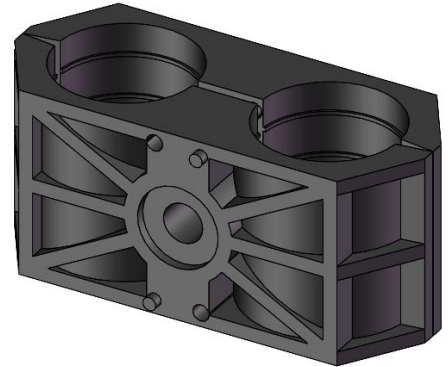


Cable Block Hanger, Double Type, for 28-29 mm Cable

- Easy and quick installation
- Robust design & material for outdoor / indoor use
- The design of cylindrical pin holds blocks in place when stacked



Product Classification

Material Number	6003799
Part Number	-
Status	Active
Detail Description	Block hanger for 28-29 mm cable, double runs

General Specifications

Material	PP
Color	Black
Mounting	Mounting hole for M8 threaded rod

Dimensions

Height	1.575 in 40 mm
Width	1.654 in 42 mm
Length	3.465 in 88 mm
Compatible Cable Jacket OD, maximum	1.142 in 29 mm
Compatible Cable Jacket OD, minimum	1.102 in 28 mm

Environmental Specifications

Operating Temperature	-40 °C to +85 °C (-40 °F to +185 °F)
Environmental Strength Capability	Double cable weight
UV Resistance	≥1000 hours,base on ISO4892.3-1994

Packaging and Weights

Bag,Height	1.772 in 45 mm
Bag,Width	8.268 in 210 mm
Bag,Length	14.567 in 370 mm
Included	Double Block Hanger

Packaging quantity and UOM	Kit of 10
Weight, gross	0.882 lb 0.4 kg

Certifications and Compliance

ISO 9001:2015	Designed, manufactured and/or distributed under this quality management system
ROHS	Compliant

