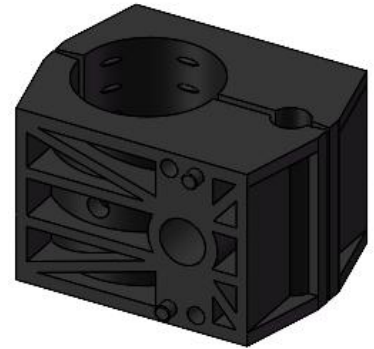


Cable Block Hanger, Double Type, for 14+7 mm Cable

- Easy and quick installation
- Robust design & material for outdoor / indoor use
- The design of cylindrical pin holds blocks in place when stacked



Product Classification

Material Code	6000618
Part Number	-
Status	Active
Detail Description	Block hanger for 14+7 mm cable, double runs

General Specifications

Material	PP
Color	Black
Mounting	Mounting hole for M8 threaded rod

Dimensions

Height	1.26 in 32 mm
Width	1.102 in 28 mm
Length	1.575 in 40 mm
Compatible Cable Jacket OD, maximum	0.551 in 14 mm
Compatible Cable Jacket OD, minimum	0.276 in 7 mm

Environmental Specifications

Operating Temperature	-40 °C to +85 °C (-40 °F to +185 °F)
Environmental Strength Capability	Double cable weight
UV Resistance	≥1000 hours,base on ISO4892.3-1994

Packaging and Weights

Bag,Height	1.26 in 32 mm
Bag,Width	8.661 in 220 mm
Bag,Length	12.598 in 320 mm
Included	Double Block Hanger

UOM	1 pcs
Packaging	Bag
Weight, gross	0.015 lb 0.007 kg

Certifications and Compliance

ISO 9001:2015	Designed, manufactured and/or distributed under this quality management system
ROHS	Compliant

