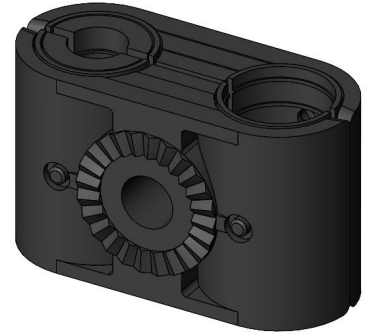


Cable Block Hanger, Double Type, for 10-23+20-23 mm Cable

- Easy and quick installation
- Robust design & material for outdoor / indoor use
- The design of cylindrical pin holds blocks in place when stacked
- The design of removable insert fits 10mm, 20mm, 23mm cable



Product Classification

Material Number	6004271
Part Number	-
Status	Active
Detail Description	Cable block hanger for 10-23+20-23 mm Cable, double runs

General Specifications

Material	PP
Color	Black
Mounting	Mounting hole for 3/8 in or M10 threaded rod

Dimensions

Height	1.575 in 40 mm
Width	0.945 in 24 mm
Length	2.598 in 66 mm
Compatible Cable Jacket OD, maximum	0.906 in 23 mm
Compatible Cable Jacket OD, minimum	0.394 in 10 mm

Environmental Specifications

Operating Temperature	-40 °C to +85 °C (-40 °F to +185 °F)
Environmental Strength Capability	Double cable weight
UV Resistance	≥1000 hours,base on ISO4892.3-1994

Packaging and Weights

Bag,Height	1.575 in 40 mm
Bag,Width	8.661 in 220 mm
Bag,Length	12.598 in 320 mm
Included	Double block hanger
Packaging quantity and UOM	Kit of 10

For more information, please visit:
www.maxdao.com



©Copyright 2023 Maxdao Inc. All rights reserved.

The information contained herein is subject to change without notice. We reserve the right to make technical changes or modify the contents of this document without prior notice.

Revised: Mar 30, 2023
 Public

Weight, gross 0.926 lb | 0.42 kg

Certifications and Compliance

ISO 9001:2015	Designed, manufactured and/or distributed under this quality management system
ROHS	Compliant

