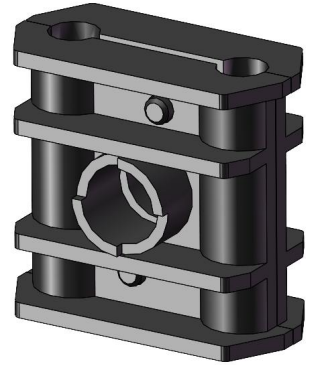


Cable Block Hanger, Double Type, for 10-11 mm Cable

- Easy and quick installation
- Robust design & material for outdoor / indoor use



Product Classification

Material Code	6000624
Part Number	-
Status	Active
Detail Description	Block hanger for 10-11 mm cable, double runs

General Specifications

Material	PP
Color	Black
Mounting	Mounting hole for 3/8 in or M10 threaded rod

Dimensions

Height	1.378 in 35 mm
Width	0.787 in 20 mm
Length	1.496 in 38 mm
Compatible Cable Jacket OD, maximum	0.433 in 11 mm
Compatible Cable Jacket OD, minimum	0.394 in 10 mm

Environmental Specifications

Operating Temperature	-40 °C to +85 °C (-40 °F to +185 °F)
Environmental Strength Capability	Double cable weight
UV Resistance	≥1000 hours,base on ISO4892.3-1994

Packaging and Weights

Bag,Height	1.417 in 36 mm
Bag,Width	5.512 in 140 mm
Bag,Length	7.874 in 200 mm
Included	Double Block Hanger

Packaging quantity and UOM	Kit of 10
Weight, gross	0.194 lb 0.088 kg

Certifications and Compliance

ISO 9001:2015	Designed, manufactured and/or distributed under this quality management system
ROHS	Compliant

