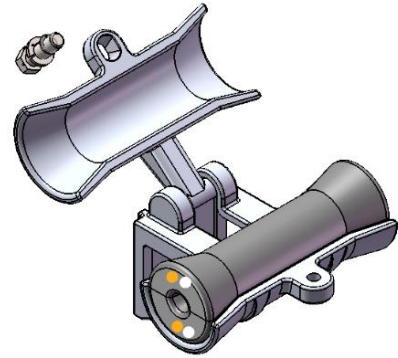


Trunnion Assemblies for 0.376"-0.419" OD ADSS Cable

- Full range of ADSS cable coverage
- Installation with through bolt or banding
- Can be used as a stringing block (with inserts removed), not exceed 30 structures
- 3/8" Bolt torque 13.5N.m, do not over-torque
- Max line angle installed(horizontal): 22°(11° per side)
- Max sag angle installed(vertical): 22°(11° per side)
- Not be used in systems with line voltages greater than 69KV

**Product Classification**

Item Number	6008394
Part Number	-
Status	Active
Detail Description	Trunnion Assemblies for 0.376"-0.419" OD ADSS Cable

General Specifications

Body Material	Aluminum
Insert Material	EPDM
Applied ADSS Cable OD Range	0.376-0.419 in 9.55-10.64 mm
Color Code	Orange&White
Span	300-600 ft 91-183 m
Ultimate Vertical Load	4000 LBS 15.6 KN
Bolt Torque	13.5 N.m

Dimensions

Length	133.2 mm 5.24 in
Width	152.5 mm 6.00 in
Height	101.0 mm 3.97 in
Bolt Size	3/8"

Environmental Specifications

Operating Temperature	-40 °C to +85 °C (-40 °F to +185 °F)
UV Resistance	≥48 hours, base on ISO4892.3-1994

Packaging and Weights

Height, Packed	220 mm 8.66 in
Width, Packed	320 mm 12.60 in

For more information, please visit:
www.maxdao.com



©Maxdao Inc. All rights reserved.

The information contained herein is subject to change without notice. We reserve the right to make technical changes or modify the contents of this document without prior notice.

Revised: May 8, 2024
 Public

Page 1 of 2

UOM	Kit
Packaging	Carton
Weight, Gross	1.01 kg 0.22 lbs
Certifications and Compliance	
ISO 9001:2015	Designed, manufactured and/or distributed under this quality management system
RoHS	Compliant

