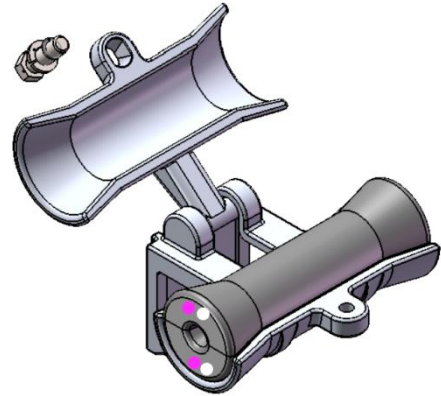


## Trunnion Assemblies for 0.420"-0.474" OD ADSS Cable

- Full range of ADSS cable coverage
- Installation with through bolt or banding
- Can be used as a stringing block (with inserts removed), not exceed 30 structures
- 3/8" Bolt torque 13.5N.m, do not over-torque
- Max line angle installed(horizontal): 22°(11° per side)
- Max sag angle installed(vertical): 22°(11° per side)
- Not be used in systems with line voltages greater than 69KV



### Product Classification

Item Number	6008395
Part Number	-
Status	Active
Detail Description	Trunnion Assemblies for 0.420"-0.474" OD ADSS Cable

### General Specifications

Body Material	Aluminum
Insert Material	EPDM
Applied ADSS Cable OD Range	0.420-0.474 in   10.67-12.65 mm
Color Code	Purple&White
Span	300-600 ft   91-183 m
Ultimate Vertical Load	4000 LBS   15.6 KN
Bolt Torque	13.5 N.m

### Dimensions

Length	133.2 mm   5.24 in
Width	152.5 mm   6.00 in
Height	101.0 mm   3.97 in
Bolt Size	3/8"

### Environmental Specifications

Operating Temperature	-40 °C to +85 °C (-40 °F to +185 °F)
UV Resistance	≥48 hours, base on ISO4892.3-1994

### Packaging and Weights

Height, Packed	220 mm   8.66 in
----------------	------------------



Width, Packed	320 mm   12.60 in
UOM	Kit
Packaging	Carton
Weight, Gross	1.01 kg   0.22 lbs
<b>Certifications and Compliance</b>	
ISO 9001:2015	Designed, manufactured and/or distributed under this quality management system
RoHS	Compliant

