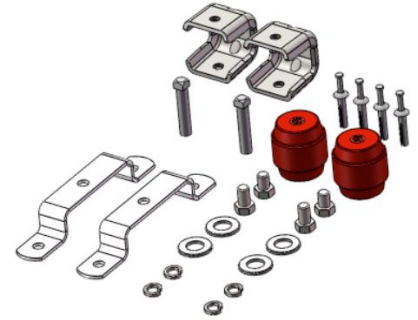


## Universal Ground Bar Hardware Kit

- Robust design & material for outdoor use
- Used for electrical applications



### Product Classification

Material Number	6003559
Part Number	-
Status	Active
Detail Description	BBHK Insulator Kit

### General Specifications

Adapters Material	Steel (Q235)
Adapters Surface Treatment	Hot dip galvanized
Hardware Kits Material	Stainless steel 304
Insulators Material	DMC
Insulators Insert Material	Brass H62
Bracket Material	Stainless steel 304

### Dimensions

Brackets Mounting Size	136 mm   5.35 in
Brackets Mounting Hole Size	9.4 mm   0.37 in
Insulator Height	51 mm   2.01 in

### Packaging and Weights

Height, packed	280 mm   11.02 in
Width, packed	200 mm   7.87 in
Included	Two 3/8" Insulators   Two brackets   Two galvanized angel adapters   For concrete anchors   Two hardware kits
UOM	Kit
Packaging	Bag
Weight, gross	1.045 kg   2.3 lb

### Certifications and Compliance

For more information, please visit:  
[www.maxdao.com](http://www.maxdao.com)



©Copyright 2023 Maxdao Inc. All rights reserved.

The information contained herein is subject to change without notice. We reserve the right to make technical changes or modify the contents of this document without prior notice.

Revised: Apr 10, 2023

Public

DATASHEET

**MAXDAO**

ISO 9001:2015

Designed, manufactured and/or distributed under this  
quality management system

RoHS

Compliant

TEMPLATE# ITM-04-01 VERSION A/5 DATE 04/10/2023

For more information, please visit:  
[www.maxdao.com](http://www.maxdao.com)



©Copyright 2023 Maxdao Inc. All rights reserved.

The information contained herein is subject to change without notice. We reserve the right to make technical changes or modify the contents of this document without prior notice.

Revised: Apr 10, 2023

Public

Page 2 of 2