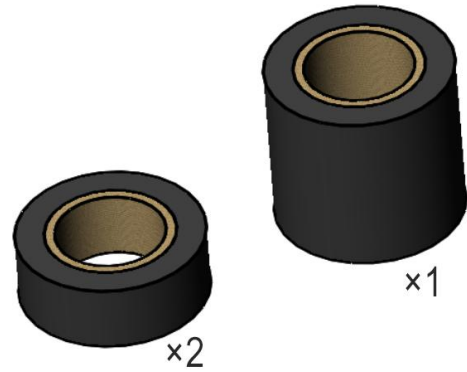


Weatherproof Kit, 2 rolls 3/4" tape and 1 roll 2" tape

- Excellent for outdoor use
- Easy to install
- Good weatherproof performance



Product Classification

Material Code	6001309
Part Number	-
Status	Active
Detail Description	Weatherproof kit,(2 rolls 0.75in height electrical tape and 1 roll 1.89in height electrical tape)

General Specifications

Material	PVC tape
Cable type	Corrugated Elliptical Waveguide Smoothwall
Cable size	Universal
Color	Black

Dimensions

High tape length×height×thickness	6000mm×48mm×0.19mm 236.2in×1.89in×0.007in
Low tape length×height×thickness	2000mm×19mm×0.19mm 78.7in×0.75in×0.007in

Environmental Specifications

UV resistance	≥1000Hours,based on ISO 4892-3
---------------	--------------------------------

Packaging and Weights

Bag width	220 mm 8.66 in
Bag length	320 mm 12.6 in
Included	2 rolls 0.75in height electrical tape and 1 roll 1.89in height electrical tape
Packaging quantity and UOM	1 Kit
Weight, gross	0.4 kg 0.88 lb

Certifications and Compliance

ISO 9001:2015	Designed, manufactured and/or distributed under this
---------------	--

For more information, please visit:
www.maxdao.com



©Copyright 2023 Maxdao Inc. All rights reserved.
The information contained herein is subject to change without notice. We reserve the right to make technical changes or modify the contents of this document without prior notice.
Revised:Feb 23, 2023
Public

DATASHEET

MAXDAO

ROHS

quality management system
Compliant

For more information, please visit:
www.maxdao.com



©Copyright 2023 Maxdao Inc. All rights reserved.

The information contained herein is subject to change without notice. We reserve the right to make technical changes or modify the contents of this document without prior notice.

Revised: Feb 23, 2023

Public

Page 2 of 2

DOC#ITM04-01, Version:A/2, Updated:02/21/2023